



GTM-201-RS232 GTM-201-USB

Industrial Quad-band GPRS/GSM Modems

Features

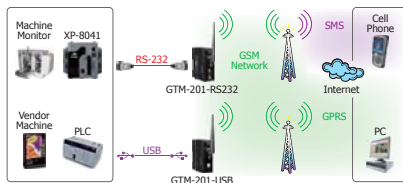
- Quad-band GSM/GPRS Modem Operating of 850/900/1800/1900 MHz
- Designed for GPRS, Data, Fax, SMS and Voice Applications
- Supports TCP Server, TCP Client, UDP Client Connection from GPRS
- Supports Standard AT Commands
- Includes a Digital Input Channel to reset the System
- Provide 3.5 mm stereo jack for Audio Interface
- LED Indicators for GSM and Power Indication
- High reliability in harsh environments
- The RS-232 Port supports 9600 to 115200 bps (GTM-201-RS232)
- USB Driver for Windows, WinPAC (WinCE5.0), LinPAC (Linux 2.6) (GTM-201-USB)
- DIN-Rail mountable



Introduction

The GTM-201 is a series of industrial Quad-band GSM/GPRS modems with RS-232 and USB interfaces that work at frequencies of GSM 850 MHz, EGSM 900 MHz, DCS 1800 MHz and PCS 1900 MHz. The modems utilize the GSM/GPRS network for convenient and inexpensive data transfer from remote instruments, meters, computers or control systems in either live data or packet data acquisition. The GTM-201 series has an integrated TCP/IP stack so that even simple controllers with serial communications ports can be connected to the modem without the need for special installation of drivers. The features of the GTM-201 series allows a variety of PLC and PC applications to take advantage of SMS and GPRS connectivity. The voice interface allows these modems to be also applied to alarm systems with sounds.

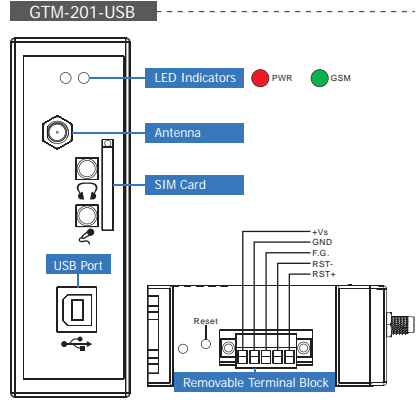
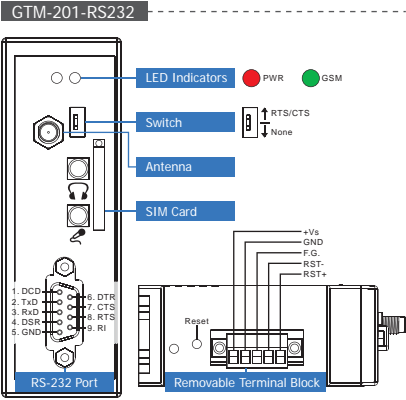
Applications



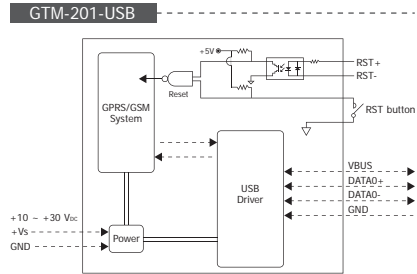
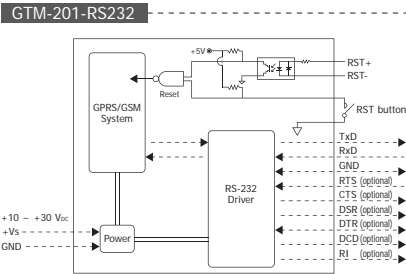
Specifications

Models	GTM-201-RS232	GTM-201-USB
GSM/GPRS System		
GPRS/GSM Quad-band	850/900/1800/1900 MHz	
GPRS Multi-slot	Class 10/8	
GPRS Mobile Station	Class B	
GPRS Class 10	Max. download speed 85.6 kbps	
CSD	Up to 14.4 kbps	
Compliant with GSM Phase 2/2+	Class 4 (2 W @ 850/900 MHz); Class 1 (1 W @ 1800/1900 MHz)	
Coding Schemes	CS 1, CS 2, CS 3, CS 4	
SMS	Text and PDU Mode	
Serial Ports		
Serial Standards	RS-232 (DB-9 Female)	USB (B-TYPE) to RS232(VCP)
RS-232	TxD, RxD, RTS, CTS, DTR, DSR, DCD, RI, GND	TxD, RxD, DTR, DSR, DCD, RI, GND
Baud Rate	9600 bps ~ 115200 bps	
Include Cable	RS-232 9-Pin Female to Male cable (CA-0915)	USB Type A to Type B cable (CA-USB18)
Compatibility	-	USB 1.1 and 2.0 standard
USB Driver Support	-	Windows 98 and 2000 Windows XP and XP 64-bit Windows Vista and Vista 64-bit WinPAC (WinCE 5.0) LinPAC (Linux kernel 2.6)
Reset Input		
Input Type	Isolated, 3750 V _{ins}	
On Voltage Level	+3.5 V _{cc} ~ +30 V _{cc}	
Off Voltage Level	+1V max.	
Input Impedance	3 kΩ, 0.25 W	
LED Indicators		
Power	Red	
GSM/GPRS	Green	
Power		
Protection	Power reverse polarity protection	
Frame Ground Protection	ESD, Surge, EFT, Hi-Pot	
Required Supply Voltage	+10 V _{cc} ~ +30 V _{cc}	
Power Consumption	Idle: 25 mA @ 24 V _{cc} ; Data Link: 100 ~ 400 mA (peak) @ 24 V _{cc}	
Connection	5-Pin 3.81 mm Removable Terminal Block	
Mechanical		
Casing	Plastic	
Flammability	UL 94V-0 materials	
Dimensions (W x L x H)	33 mm x 87 mm x 107 mm	
Installation	DIN-Rail	
Environment		
Operating Temperature	-25 °C ~ +55 °C	
Storage Temperature	-40 °C ~ +80 °C	
Humidity	5 ~ 90% RH, non-condensing	

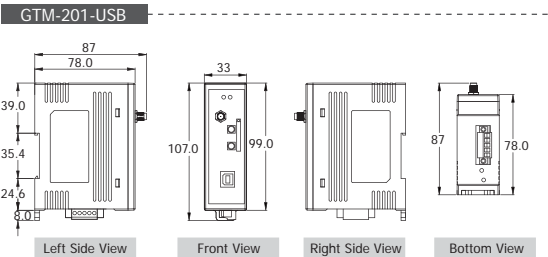
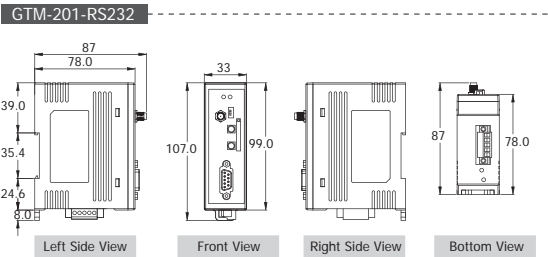
Appearance



Internal I/O Structure



Dimensions (Unit: mm)



Ordering Information

GTM-201-RS232 CR	Industrial Quad-band GPRS/GSM Modem with RS-232 Interface (RoHS)
GTM-201-USB CR	Industrial Quad-band GPRS/GSM Modem with USB Interface (RoHS)

Accessories

ANT-421-01	3m external GPRS/GSM antenna
------------	------------------------------