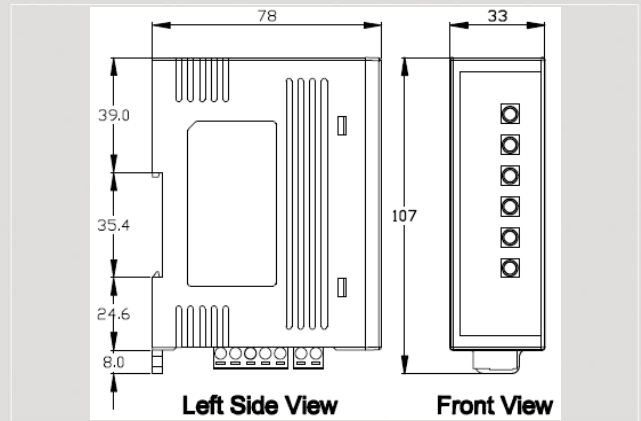




Universal IR Learning Remote Module



IR-210



Dimensions

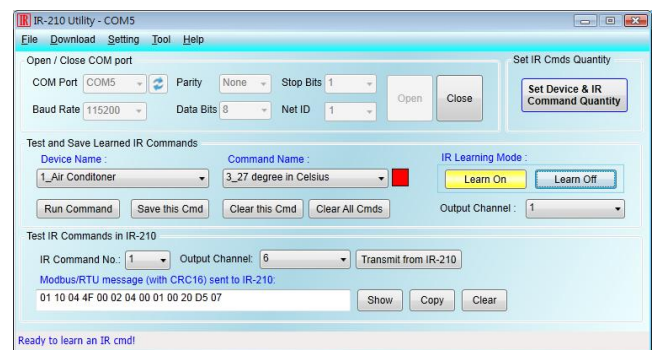
IR-210 is a universal IR learning remote module which can learn IR remote commands of diverse electronic devices. The learning commands can be stored in the module or saved to a file. IR-210 supplies 6 IR output channels for individual and simultaneous control on multiple devices. The accompanied RS-232 and RS-485 interfaces with Modbus/RTU protocol provide more flexible expansion and control on the module. As a replacement of IR remote controls and a module that can be easily integrated with Modbus master devices (e.g. PAC, PLC, PC... etc.), IR-210 is well-suited for smart home and building automation.

Features

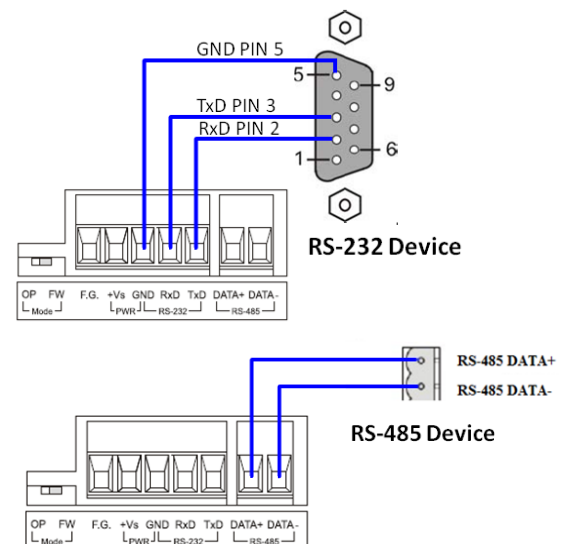
- 6 IR output channels for controlling multiple devices.
- 1 IR learning input.
- Supports learning IR carrier frequencies: 32.768、36、37.037、38、40 and 56 kHz.
- Can learn and store 224 IR commands.
- Supports RS-232 and RS-485 serial interface.
- Supports Modbus/RTU protocol.
- Assignable 256 Modbus Network IDs.
- Baud rate settings: 9600, 19200, 38400, 57600 and 115200 bps.
- Configurable NONE/ODD/EVEN parity and 1 or 2 stop bits.
- Provides Transmitting/Learning/Power indication LEDs.
- Built-in Watchdog.
- RoHS Compliance.

Utility Features

- IR commands learning and testing.
- Save IR learning commands to files.
- Get/Set IR learning commands from/to IR-210.
- Reference to Modbus commands.
- Set/Reset basic settings of IR-210.



Wire Assignments

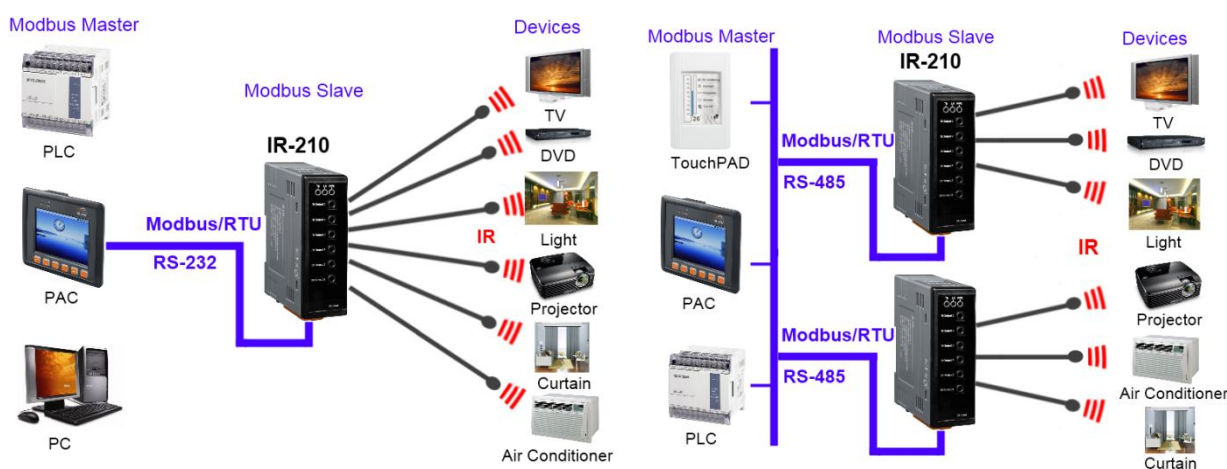




Hardware Specifications

IR Interface			
IR Output Channels	6 channels with 3.5 mm audio jack		
IR Learning Input	1 channel. Supports 6 IR carrier frequencies: 32.768, 36, 37.037, 38, 40, 56 kHz.		
Serial Communication Interface			
Connector	2-pin (RS-485) / 5-pin (RS-232, Power) screw terminal connector		
COM1	RS-232 (TxD, RxD, GND)		
COM2	RS-485 (DATA+, DATA-)		
Baud Rate	9600, 19200, 38400, 57600, 115200 bps		
Protocol	Modbus/RTU (slave)		
LED Indicator			
Round LED	TR (IR Transmitting) / LN (IR Learning) / PWR (Power)		
Power			
Power supply	+10 ~ +30 V _{DC}		
Power Consumption	Stand by: 0.65 W	1 IR output used: 2.5 W	6 IR outputs used: 12 W (Max.)
Mechanism			
Installation	DIN-Rail Mounting		
Dimensions	33 mm x 107 mm x 78 mm (W x H x L)		
Dip Switch	FW (Firmware update mode) / OP (Firmware operation mode)		
Environment			
Operating Temp.	-25 ~ +75 °C		
Storage Temp.	-30 ~ +80 °C		
Humidity	10 ~ 90% RH, non-condensing		

Application



Ordering Information

IR-210 CR	Universal IR Learning Remote Module (6 IR outputs), including 2 CA-IR-SH2251 (RoHS)
IR-210-5 CR	Universal IR Learning Remote Module (6 IR outputs), including 2 CA-IR-SH2251-5 (RoHS)

Accessories

CA-IR-SH2251	Single-headed IR emitter (with adhesive pad, Ø 3 mm IRED, 2.5 m)
CA-IR-SH2252	Dual-headed IR emitter (with adhesive pad, Ø 3 mm IRED, 2.5 m)
CA-IR-SH2251-5	Single-headed IR emitter (with adhesive pad, Ø 5 mm IRED, 2.5 m)
CA-IR-SH2252-5	Dual-headed IR emitter (with adhesive pad, Ø 5 mm IRED, 2.5 m)
CA-IR-SH2251-360	Semi-sphere-headed IR blaster cable (with adhesive pad, 2.5 m, available soon)