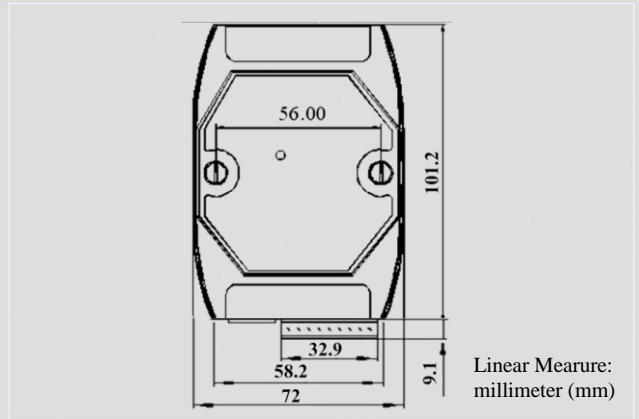




Intelligent Remote Maintenance Device Server



M2M-720-A



Dimensions

Linear Measure: millimeter (mm)

The M2M-720-A module is specially designed for the remote maintenance solution with voice streaming. This module provides 2 major technologies on networking: Voice streaming and Pair connection. The Pair connection means that the user can operate remote COM port device via Ethernet TCP/IP protocol just like a local COM port and the Voice streaming means the user can talk to remote operator while operate remote COM-linked devices. Furthermore, M2M-720-A integrates the Virtual com technology. That can resolve the insufficiency of real com port in PC. By applying this technology, the maintenance man can take the remote maintenance or monitor whatever time or place.

Features

- Support voice streaming on network
- Provide pair connection on network
- Server mode can manage max 64 clients
- Support Virtual COM technology
- Web-based administration
- Linux platform
- Provide Static IP/DHCP/PPPoE
- Provide dynamic DNS function
- Provide event record and e-mail function
- Built-in web server, FTP server
- Built-in self-tuner ASIC chip for RS-485 port
- Robust, fan less design
- CE/FCC, EMI, RoHS compliance

9-pin screw terminal block

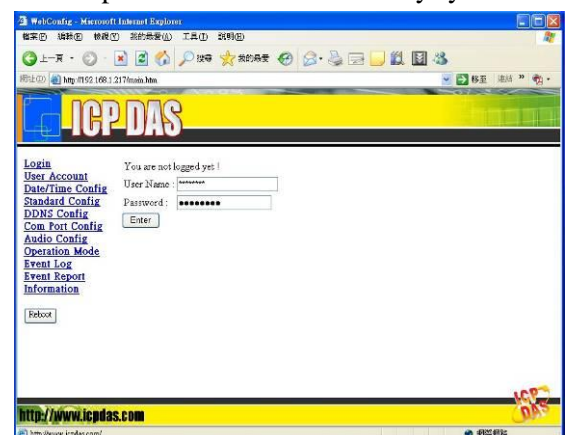
| Pin | Name | Description |
|-----|-------|-------------------------------------|
| 1 | Trig | Trigger input |
| 2 | T.Gnd | GND of trigger input |
| 3 | RXD | Rx of RS-232 |
| 4 | TXD | Tx of RS-232 |
| 5 | GND | GND of RS-232 |
| 6 | D+ | Data+ of RS-485 |
| 7 | D- | Data- of RS-485 |
| 8 | PWR | V+ of Power Supply (+10 to +30 Vdc) |
| 9 | GND | GND of Power Supply |

Pin Assignments



Web-based administration

- The M2M-720-A module built-in web server, the user can operate and set the module easily by web browser.

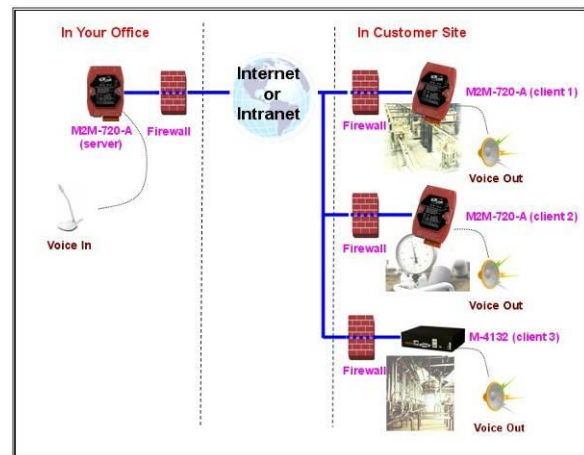
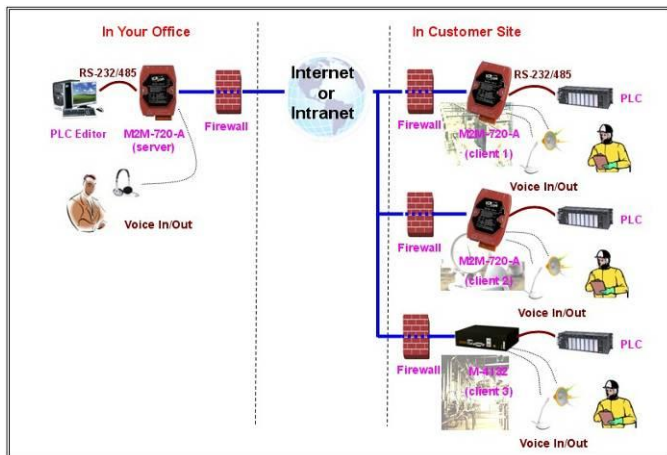




Hardware Specifications

| Hardware | |
|-----------------------|---|
| CPU | Cortex A8 processor |
| RAM/Flash | 512 MB / 512 MB |
| RTC (Real Time Clock) | Yes |
| UART Interface | |
| COM 1 | RS-232 |
| COM 1 Connector | 3-pin screwed terminal block (RXD, TXD, GND) |
| COM 2 | RS-485 (Self-turner inside) |
| COM 2 Connector | 2-pin screwed terminal block (DATA+, DATA-) |
| Baud Rate (bps) | 1200, 2400, 4800, 9600, 19200, 38400, 57600, 115200 |
| Data bit | 5, 6, 7, 8 |
| Stop bit | 1, 2 |
| Parity | None, Even, Odd |
| Ethernet Interface | |
| Controller | 10/100Base-TX Ethernet Controller |
| Connector | RJ-45 with LED indicator |
| Services | TCP/IP, Web server, FTP server, Telnet & SSH |
| Power | |
| Power supply | Unregulated +10 ~ +30 V _{DC} |
| Power Consumption | 4.6 W |
| Mechanism | |
| Installation | DIN-Rail or Wall Mounting |
| Dimensions | 72 mm x 33 mm x 110 mm (W x L x H) Detail |
| Environment | |
| Operating Temp. | -20 °C ~ +60 °C |
| Storage Temp. | -25 °C ~ +85 °C |

Application



Ordering Information

| | |
|------------------|--|
| M2M-720-A | Intelligent Remote Maintenance Device Server |
|------------------|--|